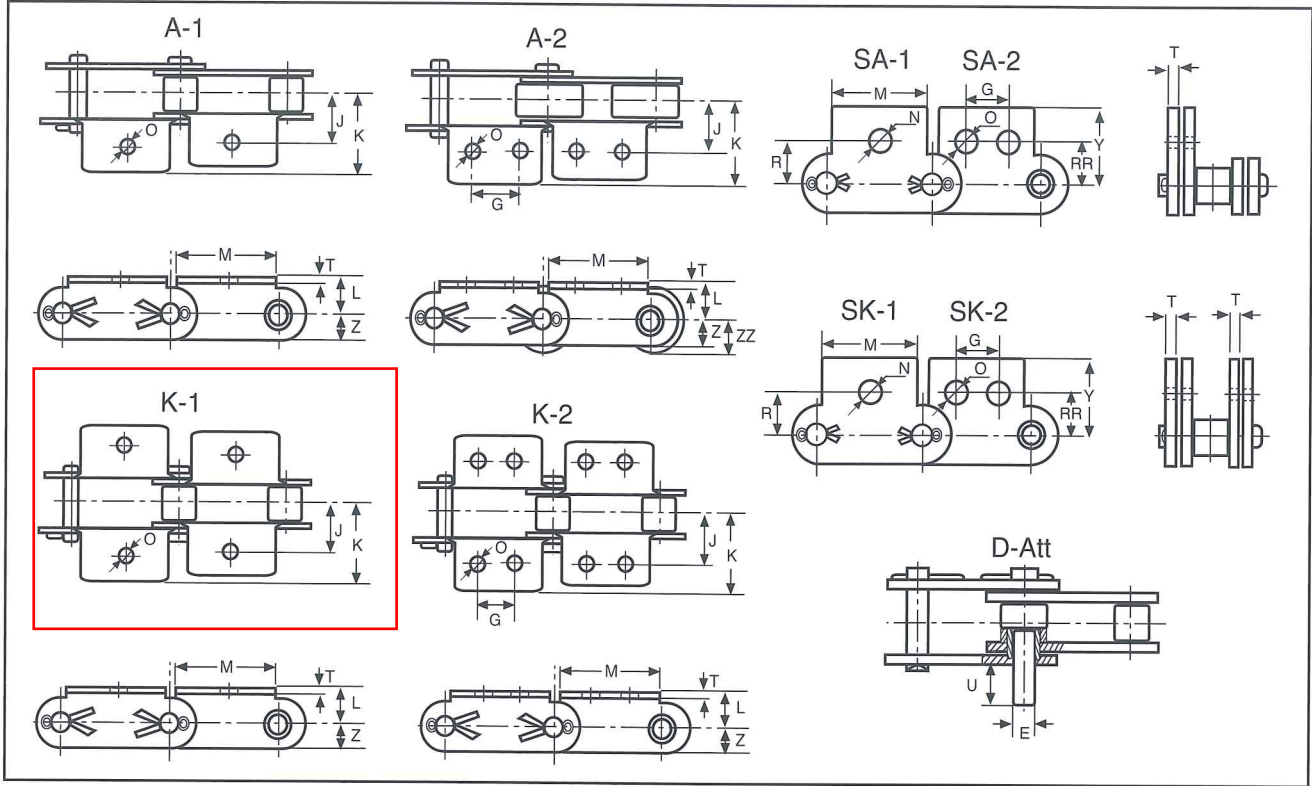


# Double Pitch Attachments



HKK Chain No.	Chain Pitch	J	K	L	M	O	N	G	T	Z	ZZ
HKK C2040 HKK C2042	1	0.500	0.750	0.359	0.750	9/64	13/64	0.375	0.060	0.223	0.312
HKK C2050 HKK C2052	1-1/4	0.625	0.953	0.437	0.937	13/64	17/64	0.468	0.080	0.296	0.375
HKK C2060H HKK C2062H	1-1/2	0.843	1.234	0.578	1.125	13/64	11/32	0.562	0.125	0.335	0.438
HKK C2080H HKK C2082H	2	1.093	1.593	0.750	1.500	17/64	13/32	0.750	0.156	0.445	0.562
HKK C2100H HKK C2102H	2-1/2	1.312	1.968	0.921	1.875	11/32	35/64	0.937	0.187	0.563	0.781
HKK C2120H HKK C2122H	3	1.562	2.437	1.093	2.250	13/32	5/8	1.125	0.218	0.687	0.875
HKK C2160H HKK C2162H	4	2.062	2.984	1.437	3.000	35/64	53/64	1.500	0.281	0.937	1.125

Dimensions in inches & pounds

HKK Chain No.	Chain Pitch	R	RR	Y	E	U	Average Weight Per Attachment (lbs)				
							A att	K att	SA att	SK att	D att
HKK C2040 HKK C2042	1	0.437	0.531	0.781	0.156	0.375	0.007	0.014	0.006	0.012	0.002
HKK C2050 HKK C2052	1-1/4	0.562	0.625	0.968	0.200	0.468	0.014	0.028	0.013	0.026	0.004
HKK C2060H HKK C2062H	1-1/2	0.687	0.750	1.203	0.234	0.562	0.033	0.066	0.032	0.064	0.005
HKK C2080H HKK C2082H	2	0.875	1.000	1.593	0.312	0.750	0.070	0.140	0.070	0.140	0.024
HKK C2100H HKK C2102H	2-1/2	1.125	1.250	1.984	0.375	0.937	0.142	0.284	0.146	0.292	0.030
HKK C2120H HKK C2122H	3	1.312	1.468	2.156	0.437	1.125	0.226	0.452	0.216	0.432	0.050
HKK C2160H HKK C2162H	4	1.750	2.000	3.000	0.562	1.500	0.583	1.166	0.517	1.034	0.100

Dimensions in inches & pounds